

Touch Operator Panels for QuickStep® and MAC motor® integrated motors



Wide range of high quality Human Machine Interface panels for use with the integrated servo and stepper motors from JVL.

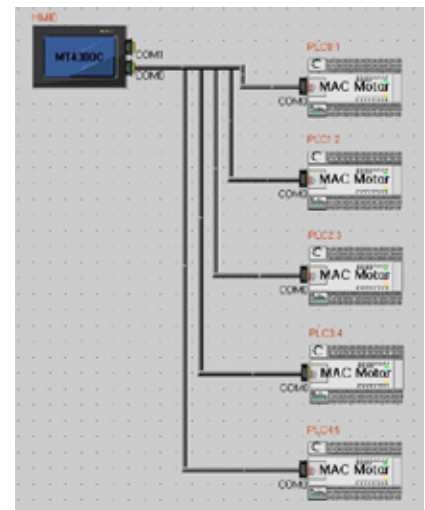
JVL now provide a wide range of excellent HMI operator panels for all our integrated motors.

Available screen sizes from 4,3" to 15" with resolutions up to 1024 x 768 (this data sheet covers models with 4,3"... 5,7" screens).

Enjoy easy creation of operator screens using the EV5000 development software package for Windows.



Offline simulation



Overview of Installation:

Highlights:

- Connects to all controller versions of MIS231..234
- Connects to all MAC050..141
- Connects to all MAC400 and MAC800
- Easy and intuitive development software
- All functions that you would ever

need, including trend graphs, alarms and recipe handling

- Advanced Timer functions let you mask out individual bits in MAC/MIS/SMC75 registers
- Need very special functionality? Just write a macro in C !
- Ultra fast boot times reduce waiting

time after power on

- Good connectivity, even the smallest panels have 2 serial ports and an USB-port



Specifications

	HMI-420T	HMI-430C	HMI-430T	HMI-630C-T
Surface color	Black			Grey
Screen type	4.3" TFT	5.6" TFT	5.7" TFT	5.7" TFT
Resolution	480x272	320x234	320x240	320x240
Luminance	165 cd/m ²	300 cd/m ²	350 cd/m ²	300 cd/m ²
Display color	64K Color	64K Color		
Back light	LED	1CCFL		
Back light life	40000 hrs	30000 hrs	40000 hrs	30000 hrs
Touch screen	4 Lines precision resistance grid (surface hardness 4H)			
CPU	200 MHz RISC			520 MHz PXA270
Memory	8MB FlashROM + 16MB DRAM			32 MB NOR flash + 1x SD card slot
Communication port	2x RS232/422/485 1xUSB slave	2x RS232/422/485. 1x USB slave		2x RS232/422/485. 1x USB slave + 1x USB Host + 1x Ethernet
Recipe memory	128 K WORDS			
Printer port	N/A	1 DB 15		N/A
Power supply	24 VDC, 150mA	24 VDC, 400 mA. Start-up current 600 mA		
EMC compatibility	EN5008 1-2 & EN5008 2-2			
FCC compatibility	FCC Class A			
Insulation resistance	>50 MOhms @ 500 VDC			
Vibration resistance	10-25 Hz (X Y Z direction 2G/30 minutes)			
Protective level	IP65			
Operating temperature	0... +45 °C	-30... +70°C		-20... +65 °C
Operational humidity	10-90% RH (non condensing)			
Enclosure material	ABS			
Outline dimensions	152x87x53 mm	204x150x52 mm	235x172 x53 mm	-
Cutout size	145(+1) x 81(+1) mm	192x136 mm	224x161 mm	-
Weight	0.4 kg	0.85 kg	1.1 kg	-
Cooling	Natural air cooling			
Expansion Modules	N/A			Profibus-DP/CANopen/ EtherCAT

Accessories:

HMI-SW1: Software for HMIs and MAC/MIS/SMC75

HMI-USB: USB-PC-link

HMI-SW1-USB: Combination pack of software and USB-PC-link



JVL Industri Elektronik A/S
 Blokken 42
 DK-3460 Birkerød, Denmark
 Tel: +45 4582 4440
 Fax: +45 4582 5550
 E-mail: jvl@jvl.dk www.jvl.dk

